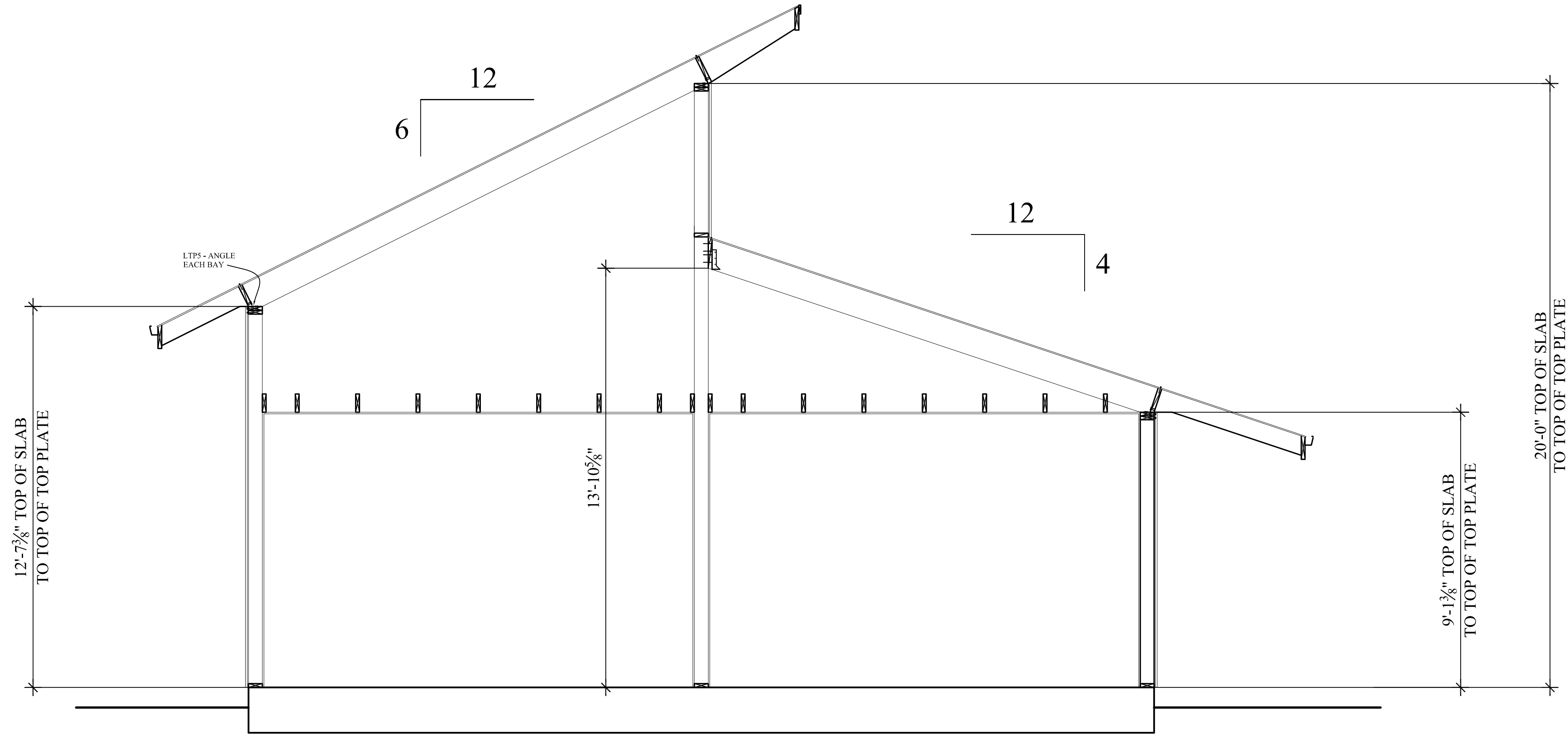


A  
A3

BUILDING CROSS SECTION

SCALE: 3/8" = 1'-0"



B  
A3

BUILDING CROSS SECTION

SCALE: 3/8" = 1'-0"

Beckwith  
Architecture P.C.  
ARCHITECTURE • PLANNING  
P.O. Box 337  
Oregon City, Oregon 97045-0020  
phone: 503.806.2279  
email: rbarch@bctonline.com

WOODLAND  
WELCOME CENTER

Harper  
Houf Peterson  
Righellis Inc.  
ENGINEERS • PLANNERS  
ARCHITECTS • SUBCONTRACTORS  
205 SE Spokane Street, Suite 200, Portland, OR 97202  
phone: 503.221.1131 www.hhp.com fax: 503.221.1171

DESIGNED: BECKWITH ARCHITECTURE P.C.	DRAWN: RAYMOND R. BECKWITH	CHECKED: RRB	DATE: 11/17/2022
--	-------------------------------	-----------------	---------------------

NO.	DATE	DESCRIPTION
△		
△		
△		

SHEET NO.  
**A3**  
JOB NO.  
0000-000