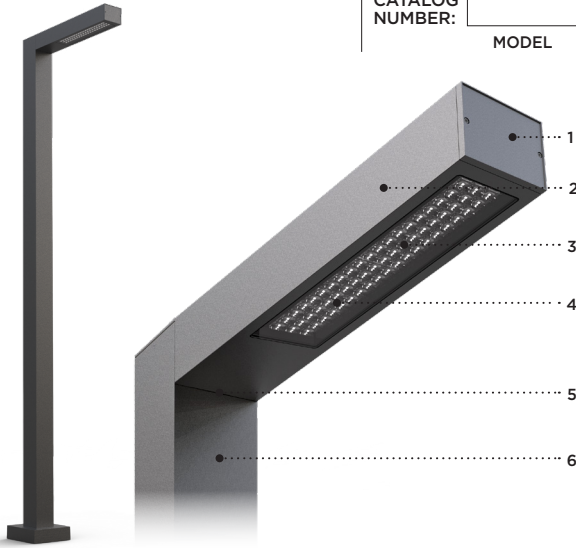


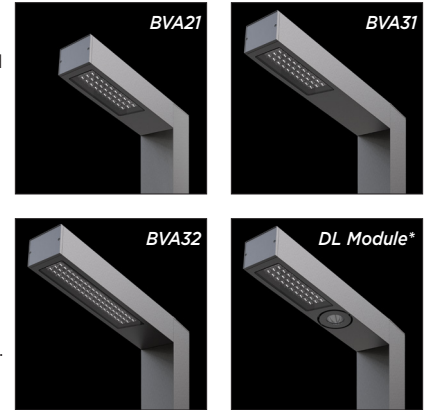
TYPE: \_\_\_\_\_ QUANTITY: \_\_\_\_\_ PROJECT: \_\_\_\_\_

CATALOG NUMBER:								
	MODEL	LED LIGHT SELECTION	POLE	VOLTAGE	FINISH	OPTION	OPTION	OPTION



- 1- Front cover constructed of corrosion resistant cast aluminum.
- 2- 4.5" (114mm) x 6" (152mm) Extruded aluminum optical chamber.
- 3- Modular LED boards with acrylic optics. 30 or 60 LEDs configurations available.
- 4- Clear tempered glass.
- 5- Heavy gauge steel mounting plate with leveling adjustment (5° total). Head mounting height can be customized upon request (contact factory).
- 6- 6" (152mm) x 6" (152mm) 6061-T6 aluminum pole. 0.25" wall thickness. All stainless steel hardware.

\* BVA31-DL Module with aimable point source optic.



### MATERIALS

Bellevue is made of 6063-T6 extruded aluminum alloy. Cast parts are made of corrosion resistant 356 aluminum alloy with a copper (CU) content of less than 0.1%.

LED board is assembled on a thick extruded aluminum profile and protected by a clear tempered glass. The acrylic optics provide a wide range of roadway optics. The driver is mounted either in the pole access door (Single Head Configuration) or in the pole top cap (P2, P290, P3, P4) for ease of maintenance.

### ELECTRICAL

**DRIVER** Standard driver is 120-277V multi-volt compatibility (50-60Hz), 0-10V dimming-ready (dims to 10%). Optional 347/480V, operating temperatures of -40°C/-40°F to 55°C/131°F, output over voltage protection, output over current protection, output short circuit protection with auto-recovery.

**LED** Type II, III, IV or V light distribution via high performance optical lenses. Offered in 2700K, 3000K, 3500K, 4000K. See the CCT options for details. Optional true amber LED for turtle sensitive areas. Wavelengths: 585nm to 597nm.

### LIFETIME

60,000hrs L<sub>70</sub>B<sub>50</sub> (based on LM-80 report for lumen maintenance).

### FINISH

Five-stage preparation process includes preheating of cast aluminum parts for air extraction. Polyester powder coating is applied through an electrostatic process, and oven cured for long term finish.

### CERTIFICATION

Certified and Approved as per CSA C22.2 No.: 250.0 standard and ANSI/UL 1598 standard, for wet location. Rated IP65.

Photometric testing performed by an independent laboratory in accordance with IES LM-79-08 standards at 25°C. Lumen depreciation in accordance with IESNA LM80 standards.

### MOUNTING

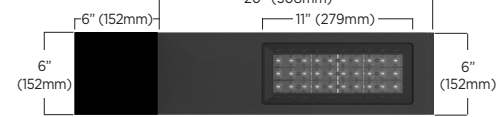
Maximum weight: 21 lbs (9.5 kg)

Bellevue is designed for ease of access and installation.

The head is secured on the pole by a set of (4) 5/16-18 bolts.

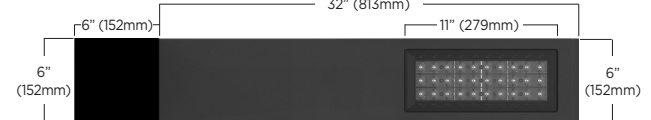
The cast aluminum base plate is secured with a set of (4) 3/4"-10 x 18" lg. galvanized anchor bolts. Accessibility is done through a flush mount 3" x 10" (76 x 254) hand hole cover plate. See page 4 for pole base mounting details.

### BVA21



EPA value: 0.75 ft<sup>2</sup>

### BVA31



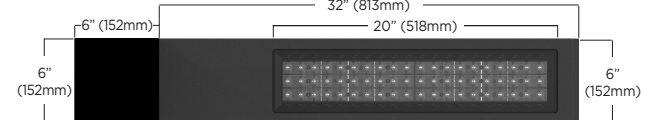
EPA value: 1.2 ft<sup>2</sup>

### BVA31-DL



EPA value: 1.2 ft<sup>2</sup>

### BVA32



EPA value: 1.2 ft<sup>2</sup>



# BVA21/BVA31/BVA32 SERIES Bellevue

## LUMINAIRE SELECTION - BVA21/BVA31

### 1 MODEL



BVA21



BVA31

### 2 LED LIGHT SELECTION WHITE (4000K/70CRI)

TYPE	SUFFIX	DELIVERED LUMENS*	INPUT WATTS
TYPE II	<input type="checkbox"/> L1L40-TYP2	3989	34
	<input type="checkbox"/> L1L50-TYP2	5025	44
	<input type="checkbox"/> L1L60-TYP2	6019	55
	<input type="checkbox"/> L1L70-TYP2	6974	66
TYPE III	<input type="checkbox"/> L1L40-TYP3	3989	34
	<input type="checkbox"/> L1L50-TYP3	5025	44
	<input type="checkbox"/> L1L60-TYP3	6019	55
	<input type="checkbox"/> L1L70-TYP3	6974	66
TYPE IV	<input type="checkbox"/> L1L40-TYP4	3722	34
	<input type="checkbox"/> L1L50-TYP4	4689	44
	<input type="checkbox"/> L1L60-TYP4	5617	55
	<input type="checkbox"/> L1L70-TYP4	6508	66
TYPE V	<input type="checkbox"/> L1L40-TYP5	4122	34
	<input type="checkbox"/> L1L50-TYP5	5193	44
	<input type="checkbox"/> L1L60-TYP5	6220	55
	<input type="checkbox"/> L1L70-TYP5	7207	66

### AMBER LED LIGHT SELECTION - TURTLE FRIENDLY

TYPE	SUFFIX	DELIVERED LUMENS*	INPUT WATTS
TYPE II	<input type="checkbox"/> L1LK2A-TYP2	1785	14
TYPE III	<input type="checkbox"/> L1LK2A-TYP3	1785	14
TYPE IV	<input type="checkbox"/> L1LK2A-TYP4	1666	14
TYPE V	<input type="checkbox"/> L1LK2A-TYP5	1845	14

### 3 POLE<sup>10</sup>

POLE MODEL	HEIGHT
<input type="checkbox"/> BVP610	120"
<input type="checkbox"/> BVP612	144"
<input type="checkbox"/> BVP614	168"
<input type="checkbox"/> BVP616	192"
<input type="checkbox"/> BVP618	216"
<input type="checkbox"/> BVP620	240"

### 4 VOLTAGE<sup>1</sup>

- 120V
- 208V
- 240V
- 277V
- Optional
- 347V
- 480V

### 5 FINISH

- #### STANDARD COLORS\*
- WHT** Snow white
  - BKT** Jet black
  - BZT** Bronze
  - MST** Matte silver
  - GRT** Titanium gray
  - DGT** Gun metal
  - CHT** Champagne
  - SGT** Steel gray
  - BGT** English cream

#### OPTIONAL COLORS

- CS** Custom color
- RAL** RAL# color

\*Refer to color chart

### DL MODULE



\* Only available with BVA31

### 2B DL MODULE - LED LIGHT SELECTION WHITE (4000K/80CRI)

SUFFIX	DELIVERED LUMENS*	INPUT WATTS
<input type="checkbox"/> DL1L15	1461	14
<input type="checkbox"/> DL1L25	2384	24
<input type="checkbox"/> DL1L30	2877	30

### DL MODULE - AMBER LED LIGHT SELECTION - TURTLE FRIENDLY

SUFFIX	DELIVERED LUMENS*	INPUT WATTS
<input type="checkbox"/> DL1LK2A	249	10

### DL MODULE - LED LIGHT SELECTION - VERY NARROW BEAM

SUFFIX	DELIVERED LUMENS*	INPUT WATTS
<input type="checkbox"/> DL1L15NR	1409	24

### 2C REFLECTOR - DL MODULE

- R15** Narrow optics 15°
- R30** Flood optics 30° (standard)
- R55** Wide flood optics 52°

- R9** Very narrow optics 9°  
Field angle 18°  
(38,305 candela)<sup>6</sup>

### 2D ACCESSORIES

- HL** Hexcell (LCF 0.60).  
Not recommended with R55
- SL** Solite lens (LCF 0.90)
- LSL** Linear spread lens  
(Asymmetric lens distribution is achieved when light module is tilted)

**Vertical Adjustment**

**360°**

LED module is designed with a tilting mechanism allowing forward and back light adjustability.

The +\_30° directional module allows to aim the light beam in the desired direction.

Fully adjustable 360° rotation.



# BVA21/BVA31/BVA32 SERIES

## Bellevue

### LUMINAIRE SELECTION - BVA32

#### 1 MODEL



BVA32

#### 2 LED LIGHT SELECTION WHITE (4000K/70CRI)

TYPE	SUFFIX	DELIVERED LUMENS*	INPUT WATTS
TYPE II	<input type="checkbox"/> L2L80-TYP2	7978	68
	<input type="checkbox"/> L2L100-TYP2	10050	88
	<input type="checkbox"/> L2L120-TYP2	12038	110
	<input type="checkbox"/> L2L140-TYP2	13948	131
TYPE III	<input type="checkbox"/> L2L80-TYP3	7978	68
	<input type="checkbox"/> L2L100-TYP3	10050	88
	<input type="checkbox"/> L2L120-TYP3	12038	110
	<input type="checkbox"/> L2L140-TYP3	13948	131
TYPE IV	<input type="checkbox"/> L2L80-TYP4	7445	68
	<input type="checkbox"/> L2L100-TYP4	9378	88
	<input type="checkbox"/> L2L120-TYP4	11234	110
	<input type="checkbox"/> L2L140-TYP4	13016	131
TYPE V	<input type="checkbox"/> L2L80-TYP5	8244	68
	<input type="checkbox"/> L2L100-TYP5	10385	88
	<input type="checkbox"/> L2L120-TYP5	12441	110
	<input type="checkbox"/> L2L140-TYP5	14414	131

#### AMBER LED LIGHT SELECTION - TURTLE FRIENDLY

TYPE	SUFFIX	DELIVERED LUMENS*	INPUT WATTS
TYPE II	<input type="checkbox"/> L2LK2A-TYP2	3570	28
TYPE III	<input type="checkbox"/> L2LK2A-TYP3	3570	28
TYPE IV	<input type="checkbox"/> L2LK2A-TYP4	3331	28
TYPE V	<input type="checkbox"/> L2LK2A-TYP5	3689	28

#### 3 POLE<sup>10</sup>

POLE MODEL	HEIGHT
<input type="checkbox"/> BVP610	120"
<input type="checkbox"/> BVP612	144"
<input type="checkbox"/> BVP614	168"
<input type="checkbox"/> BVP616	192"
<input type="checkbox"/> BVP618	216"
<input type="checkbox"/> BVP620	240"

#### 4 VOLTAGE<sup>1</sup>

- 120V
- 208V
- 240V
- 277V
- Optional
- 347V
- 480V

#### 5 FINISH

STANDARD COLORS*	
<input type="checkbox"/> WHT	Snow white
<input type="checkbox"/> BKT	Jet black
<input type="checkbox"/> BZT	Bronze
<input type="checkbox"/> MST	Matte silver
<input type="checkbox"/> GRT	Titanium gray
<input type="checkbox"/> DGT	Gun metal
<input type="checkbox"/> CHT	Champagne
<input type="checkbox"/> SGT	Steel gray
<input type="checkbox"/> BGT	English cream

#### OPTIONAL COLORS

- CS Custom color
- RAL RAL# color

\*Refer to color chart

### OPTIONS

#### ELECTRICAL

- FS Fuse
- PHSC NEMA C136.41 7-PIN receptacle with shorting cap preinstalled
- PH7 NEMA C136.41 7-PIN receptacle with photocell sensor preinstalled
- SP 10kV surge protector
- MS Motion sensor device (high/low 25%). 270° coverage.<sup>4</sup>
- MSH In-head motion sensor device (high/low 25%). 300° coverage.<sup>4,9</sup>

#### CCT/CRI

Alternate CCT °K LED (LCF: Lumen conversion factor)

- K27E 2700K / 70 CRI (LCF 0.91)
- K30E 3000K / 70 CRI (LCF 0.94)
- K35E 3500K / 70 CRI (LCF 0.983)
- K40E 4000K / 70 CRI
- K35 3500K / 80 CRI (LCF 0.8)
- K40 4000K / 80 CRI (LCF 0.83)
- HS House side shield<sup>3</sup> (LCF 0.8)

NOTE: Other CCT & higher CRI available, please consult factory.

#### CONTROL

- NLTAIR2 In-head nLight AIR 2.0 Motion Sensor. 300° coverage.<sup>4,8</sup>

#### FAUX WOOD COLORS<sup>11</sup>

- |   |                                       |
|---|---------------------------------------|
| <input type="checkbox"/> ADG American douglas | <input type="checkbox"/> MPL Maple    |
| <input type="checkbox"/> BRC Birch            | <input type="checkbox"/> OFL Oak      |
| <input type="checkbox"/> CHN Chestnut         | <input type="checkbox"/> RSW Rosewood |
| <input type="checkbox"/> CRY Cherry           | <input type="checkbox"/> TEK Teak     |
| <input type="checkbox"/> KNP Knotty pine      | <input type="checkbox"/> WLN Walnut   |

#### POLE OPTIONS (see page 4 for details)

- GFI Ground fault circuit interruption flush receptacle<sup>2</sup>
- CGF Ground fault circuit interruption with clear in-use cover<sup>2</sup>
- T15 Arm mounted on a 15° tilt. Note that the distribution of the illumination will be affected by the angle.<sup>7</sup>

#### Multiple mountings<sup>5</sup>

- P2 Twin mount @ 180°
- P290 Twin mount @ 90°
- P3 Triple mount @ 90°
- P4 Quadruple mount
- PCST Custom configuration. See separate custom configuration form to fill in the information

#### NOTES

- 1- If no voltage is specified, luminaires are factory prewired by default for 120V. For other voltages, please specify with catalog number, or consult factory.
- 2- GFI and CGF options are installed 30" above grade on access door side. CGF cover protrudes by 3.62" (92mm). 120V required for GFI or CGF.
- 3- HS not available on Type V. Cannot be installed on site.
- 4- Not compatible with PHSC and PH7 options.
- 5- For multiple mounting please verify with your local wind zone and with a recognized authority.
- 6- Amber, K27 and K35 options not available with the R9 optics.
- 7- T15 pole angled top cover only with Single Head Configuration.
- 8- Must link to external nLight Air network.
- 9- Not Available in 480V.
- 10- For 14' to 20' poles installed in Canada, consult factory.
- 11- Faux wood finish not applied to the fixture head, base cover or hand-hole.



For IDA certification compliance, luminaire must be ordered with 3000K or warmer.

# LUMINIS®

LUMINIS | Toll free: 866.586.4647 Fax: 514.683.8872 Email: info@luminis.com  
260 Labrosse, Pointe-Claire (QC) Canada H9R 5L5

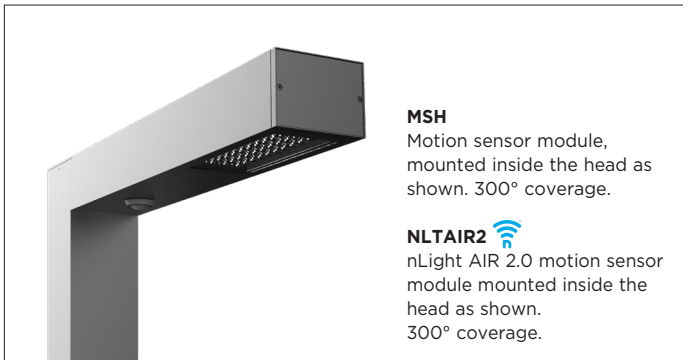
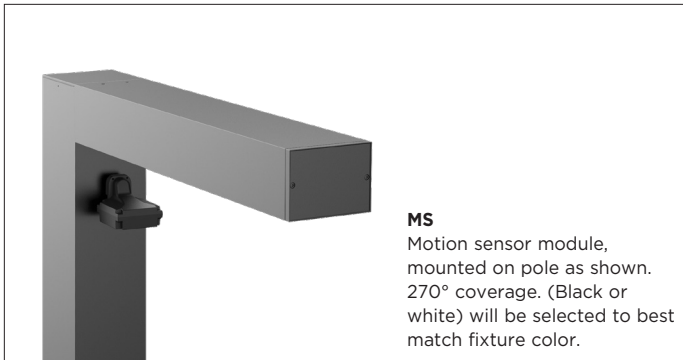
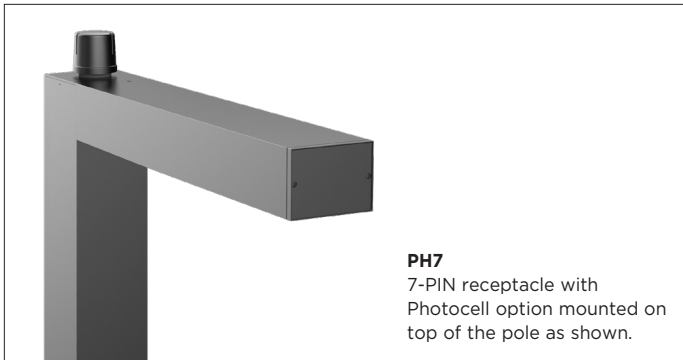
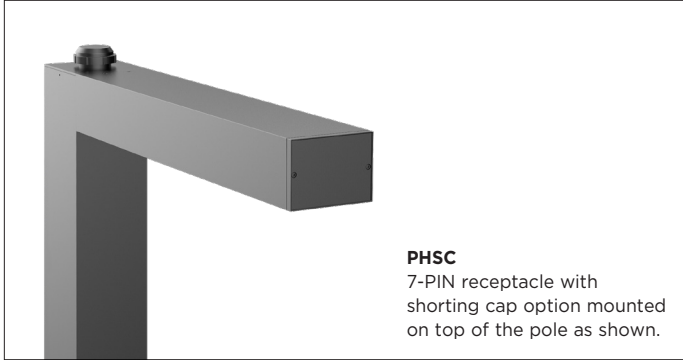
Luminaires may be altered for design improvement without prior notice.

LUMINIS.COM

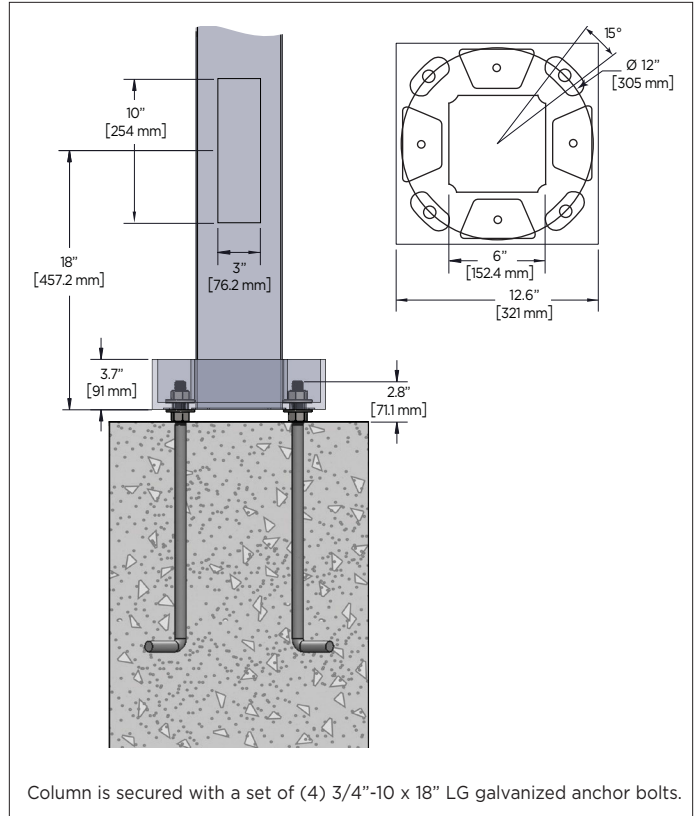
July 2022 Rev. 7

# BVA21/BVA31/BVA32 SERIES Bellevue

## ELECTRICAL DETAILS

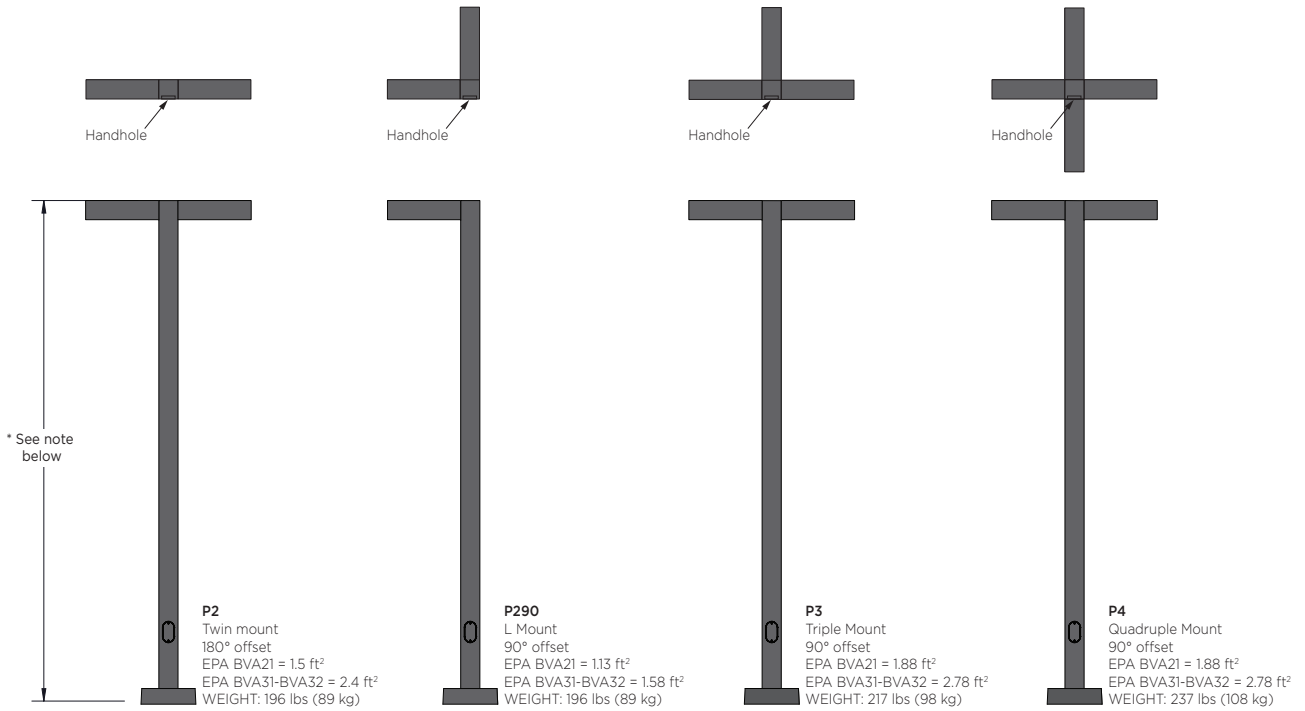


## MOUNTING INFORMATION



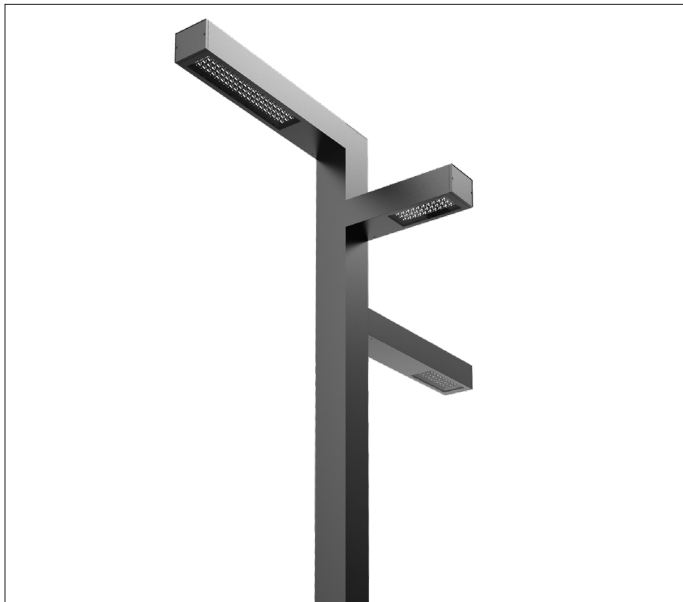
# BVA21/BVA31/BVA32 SERIES Bellevue

## POLE OPTIONS - MULTIPLE MOUNTINGS



\* Mounting configurations shown on this page are for 20ft height pole at 100mph wind. For different mounting configurations and wind zones please consult with factory and structural engineer. To specify these assemblies: Fixture quantity should be total number of fixture heads, and include the pole number and pole options. For 14' to 20' poles installed in Canada, consult factory.

**PCST CUSTOM CONFIGURATION** (See separate order form for details)



**T15 15° tilt in arm**



LUMINIS | Toll free: 866.586.4647 Fax: 514.683.8872 Email: info@luminis.com  
260 Labrosse, Pointe-Claire (QC) Canada H9R 5L5

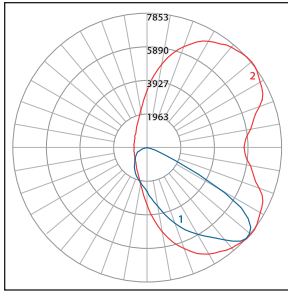
Luminaires may be altered for design improvement without prior notice.

LUMINIS.COM

July 2022 Rev.7

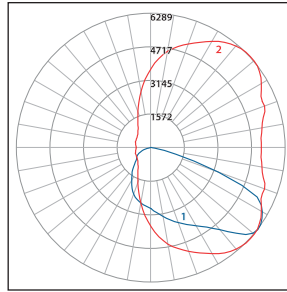
# BVA21/BVA31/BVA32 SERIES Bellevue

## TYPICAL PHOTOMETRY SUMMARY



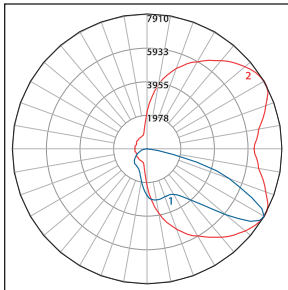
BVA21-L1L70-TYP2 / BVA31-L1L70-TYP2  
 Total Lms: 6974 Lumens  
 Total Input Watts: 65.5 W  
 BUG: B1-U0-G2  
 Maximum Candela: 3927 @ 37.5°H/47.5°V

BVA32-L2L140-TYP2  
 Total Lms: 13948 Lumens  
 Total Input Watts: 131 W  
 BUG: B2-U0-G2  
 Maximum Candela: 7853 @ 37.5°H/47.5°V



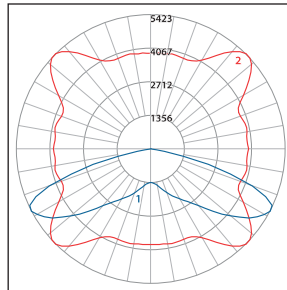
BVA21-L1L70-TYP3 / BVA31-L1L70-TYP3  
 Total Lms: 6974 Lumens  
 Total Input Watts: 65.5 W  
 BUG: B2-U0-G1  
 Maximum Candela: 3145 @ 42.5°H/52.5°V

BVA32-L2L140-TYP3  
 Total Lms: 13948 Lumens  
 Total Input Watts: 131 W  
 BUG: B3-U0-G2  
 Maximum Candela: 6289 @ 42.5°H/52.5°V



BVA21-L1L70-TYP4 / BVA31-L1L70-TYP4  
 Total Lms: 6508 Lumens  
 Total Input Watts: 65.5 W  
 BUG: B1-U0-G2  
 Maximum Candela: 3955 @ 30°H/60°V

BVA32-L2L140-TYP4  
 Total Lms: 13016 Lumens  
 Total Input Watts: 131 W  
 BUG: B2-U0-G2  
 Maximum Candela: 7910 @ 30°H/60°V



BVA21-L1L70-TYP5 / BVA31-L1L70-TYP5  
 Total Lms: 7207 Lumens  
 Total Input Watts: 65.5 W  
 BUG: B3-U0-G1  
 Maximum Candela: 2712 @ 135°H/62.5°V

BVA32-L2L140-TYP5  
 Total Lms: 14414 Lumens  
 Total Input Watts: 131 W  
 BUG: B4-U0-G2  
 Maximum Candela: 5423 @ 135°H/62.5°V

All Photometry shown use the Standard 70CRI 4000K LEDs

Please visit our web site [www.luminis.com](http://www.luminis.com) for complete I.E.S. formatted download data.